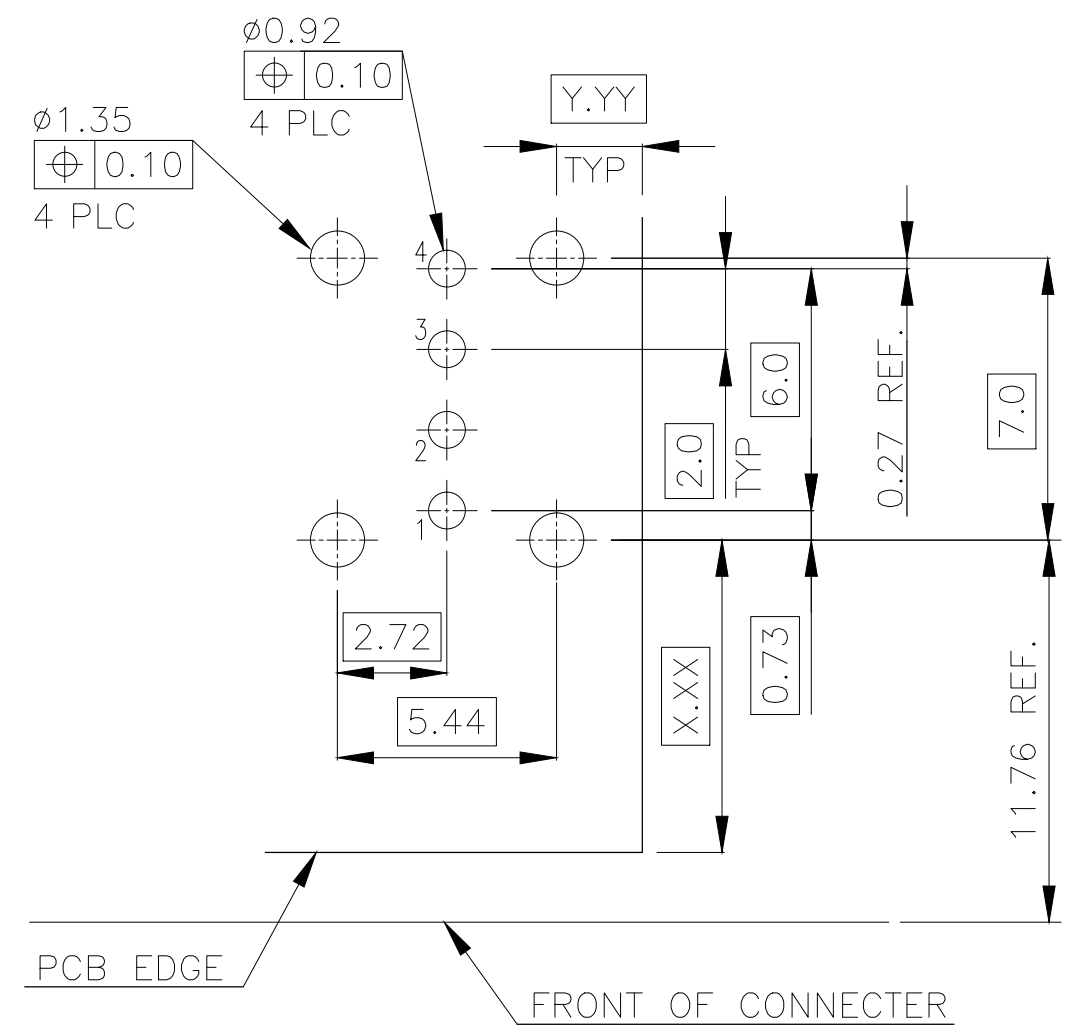
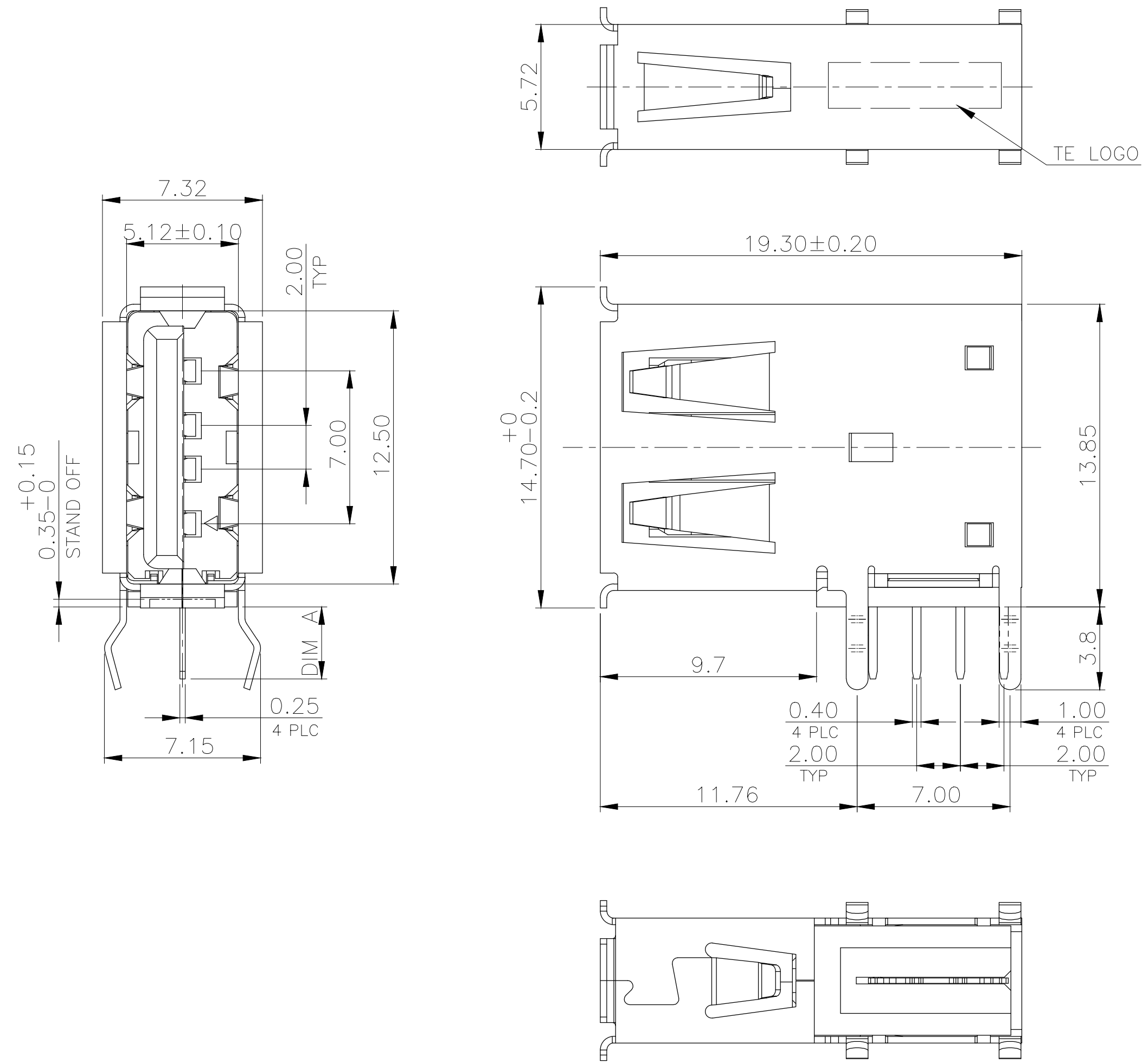


THIS DRAWING IS UNPUBLISHED. RELEASED FOR PUBLICATION
 © COPYRIGHT 2011 BY TYCO ELECTRONICS CORPORATION. ALL RIGHTS RESERVED.

LOC		DIST		REVISIONS			
P	LTR	DESCRIPTION		DATE	DWN	APVD	
	C	REVISED (ECR-14-014356), ADD STD OFF		24NOV14	SC	HL	

NOTES:

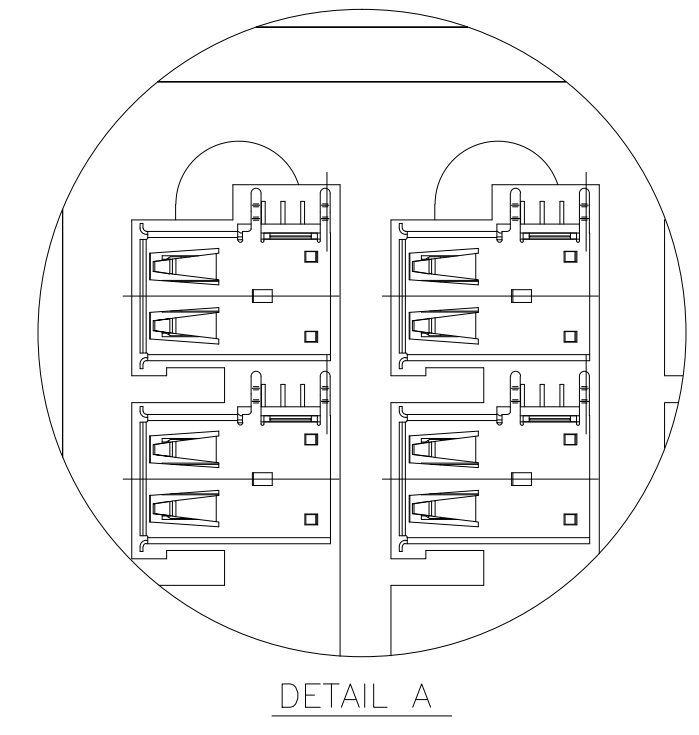
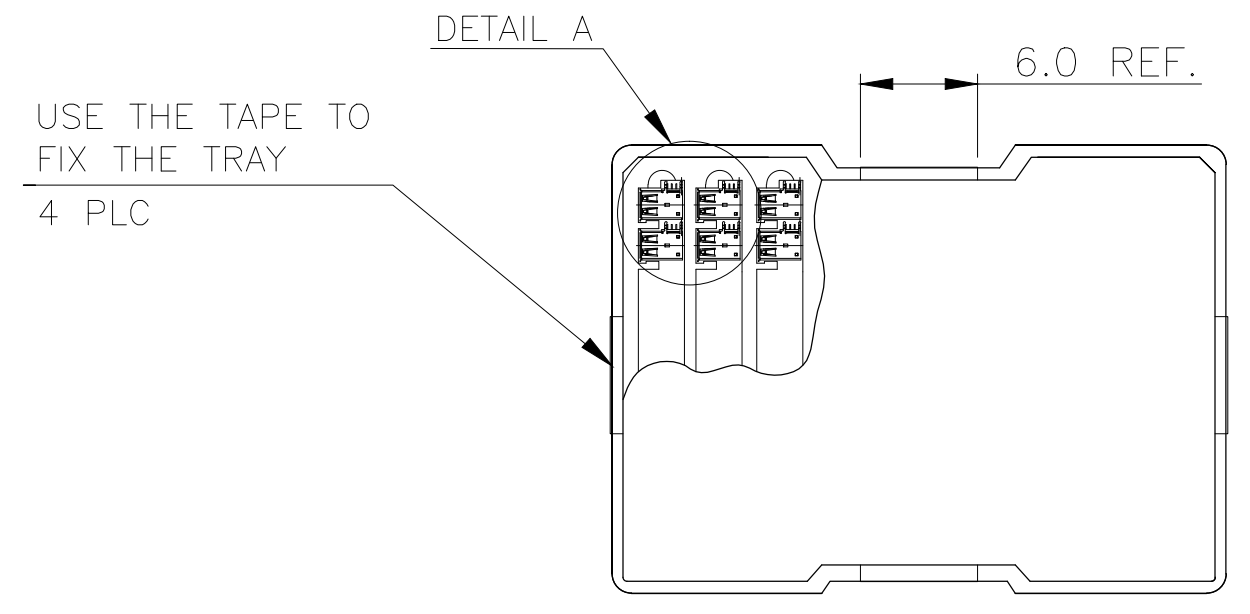
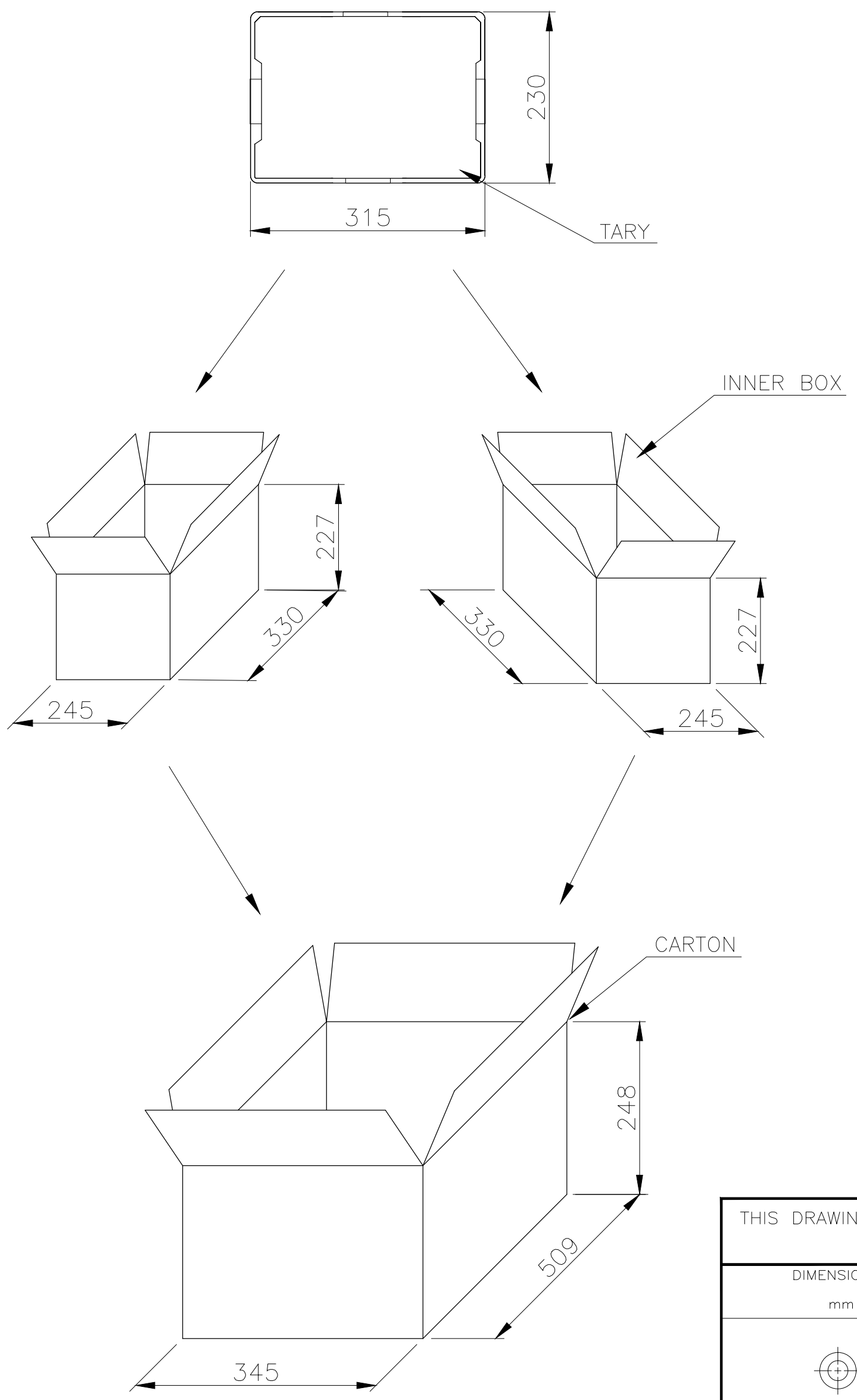
- MATERIAL:
 HOUSING: PBT WITH 30% GF, UL 94V-0, BLACK COLOR.
 CONTACTS: PHOSPHOR BRONZE.
 SHIELD: PHOSPHOR BRONZE.
- FINISH:
 CONTACTS: GOLD FLASH OVER
 0.762µm [30µ"] MIN. PALLADIUM-NICKEL PLATED ON CONTACT AREA,
 2.54µm [100µ"] MIN. MATTE-TIN ON SOLDER TAIL, WITH
 ENTIRE CONTACT UNDERPLATED 1.27µm [50µ"] MIN. NICKEL.
 SHIELD: 0.762µm [30µ"] MIN. NICKEL PLATED, WITH
 2.54µm [100µ"] MIN. Cu UNDERPLATED OVERALL.
- WAVE SOLDER CAPABLE TO 265°C PER TE TEST SPEC.
 109-202, CONDITION B.



THIS DRAWING IS A CONTROLLED DOCUMENT.		DWN O. HU 22MAY2007	STE TE Connectivity	
DIMENSIONS: mm		CHK S. HOU 22MAY2007		
TOLERANCES UNLESS OTHERWISE SPECIFIED:		APVD W.J. KE 22MAY2007	NAME	
0 PLC ± 0.38		PRODUCT SPEC	USB CONNECTOR, RECEPTACLE, FLAG, R/A, DIP, A TYPE	
1 PLC ± 0.25		108-57322	SIZE	CAGE CODE
2 PLC ± 0.20		APPLICATION SPEC	A3	00779
3 PLC ± -		WEIGHT	DRAWING NO	
4 PLC ± -		2.4 GRAMS	C=1734775	
ANGLES ± 3°		CUSTOMER DRAWING	RESTRICTED TO	-
MATERIAL SEE NOTE		FINISH SEE NOTE	SCALE	SHEET
			-	1 OF 2
				REV C

THIS DRAWING IS UNPUBLISHED. RELEASED FOR PUBLICATION
 © COPYRIGHT 2011 BY TYCO ELECTRONICS CORPORATION. ALL RIGHTS RESERVED.

LOC		DIST		REVISIONS			
P	LTR	DESCRIPTION		DATE	DWN	APVD	
		SEE SHEET 1.					



11.1 Kg	10.1 Kg	100	21	2	4200 PCS
GROSS WEIGHT	NET WEIGHT	PCS/TRAY	TRAYS /INNER BOX	INNER BOX /CARTON	QUANTITY

THIS DRAWING IS A CONTROLLED DOCUMENT.		DWN	TE Connectivity USB CONNECTOR, RECEPTACLE, FLAG, R/A, DIP, A TYPE		
DIMENSIONS: mm		CHK			
		APVD			
TOLERANCES UNLESS OTHERWISE SPECIFIED:		PRODUCT SPEC	NAME		
0 PLC ± -		APPLICATION SPEC	SIZE		
1 PLC ± -		WEIGHT	CAGE CODE		
2 PLC ± -		CUSTOMER DRAWING	DRAWING NO		
3 PLC ± -			RESTRICTED TO		
4 PLC ± -			A300779		
ANGLES ± -			C=1734775		
FINISH			SCALE		
			SHEET 2 OF 2		
			REV C		